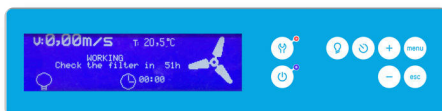


Ductless fume hoods CLASSIC RANGE

Classic Range models 670, 870, 990, 1010, 1200 & ECO²



NEW FEATURES



More information on the new LCD display

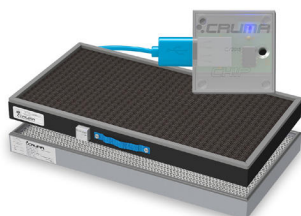
- ✓ New size 127x34mm display
- ✓ Continuously monitored air speed
- ✓ Type of filter installed, working hours, expiration date and next revision date
- ✓ Open door warning through electronic photocell
- ✓ Countdown timer
- ✓ Clock and calendar

New features and components

- ✓ Startup airflow adequacy cycle and switch off final purge cycle
- ✓ Fault LED
- ✓ Control of air flow via Microprocessor
- ✓ HEPA filters with electronic chip
- ✓ LED illumination

New alarms and scheduled warnings

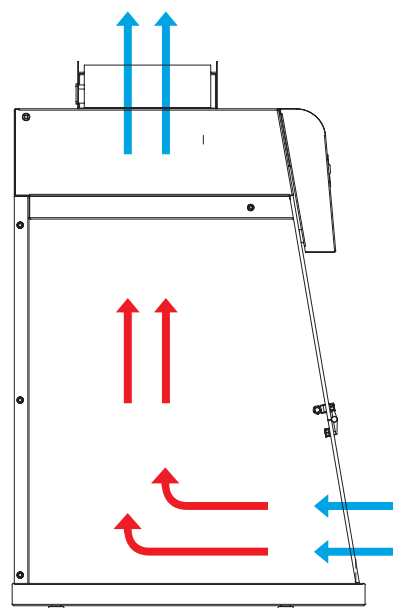
- ✓ Open door warning
- ✓ Open door in off mode warning
- ✓ 60h of filter use warning
- ✓ Next validation warning
- ✓ Few hours of filter life warning
- ✓ Countdown timer warning
- ✓ Expired filter alarm (by hours)
- ✓ Expired filter alarm (by date)
- ✓ Temperature alarm
- ✓ Equipment without filter alarm
- ✓ Low barrier alarm



USES

General chemistry involving small volumes of reagents or chemical compounds at ambient/moderate temperature in all types of laboratories:

- ✓ Research laboratories
 - ✓ Quality control laboratories
 - ✓ Clinical and hospital laboratories
 - ✓ University and school laboratories
- ...In general, in any kind of laboratory.





The main feature of **this range** is that **it comes unassembled**, and therefore can be placed in any laboratory without any problem (narrow or difficult access).

The fume hoods of the **Classic range** are **Class II** according to **Standard NF X 15-211** and are equipped with a simple filter (for molecular adsorption of vapors / gases) or a double filter (for the retention of vapors / gas and smoke / particles).

SERIAL EQUIPMENT	
Electronic circuit with large format LCD screen	Security levels: level 1 for users and level 2 for maintenance users
Electronic anemometer device	Electronic sensor monitoring continuously air face velocity
Photocell sensor device for open door detection	Electric device with open door alarm
Electronic control device for filters replacement	The filters incorporate a microchip with USB connection that identifies the type of filter installed, the expiry date and the serial no.
Illumination	LED Tube high light intensity and low power consumption - 15 Watts / 1500 Lm
Sampling system to analyze the filtered air at the exhaust	To detect the level of filter saturation
60 hours alarm	Countdown timer according to French NF X 15-211:2009
Electronic cronometre with audible alarm	To program the work inside the fume hood
Clock and calendar	Display of date and time
Working surface 1	Spill retention tray (2-10 liters) with working surface in white tempered glass
G4 Prefilter	G4 class pre-filtering blanket of synthetic biofibres (according to EN-779) for the retention of atmospheric dust
Cable entry holes (2)	Access to the rear wall for cables and / or services entry
Warranty	7 years

OPTIONAL EQUIPMENT	
Movilair	Stand with wheels and internal tray in Epoxy coated steel
Tubular steel stand	Support stand in Epoxy coated steel
Working surface 2	Spill retention tray (2-10 liters) with working surface in inox steel
Transparent rear back panel	Transparent polymethylmethacrylate rear pannel 8 mm thick (light transmission of 93%). Ideal for teaching sessions
Voltage / Frequency	125 V / 50 Hz
Filter test kit	Dräger pump with reactive colorimetric tubes (pack 10u)

MAIN STRUCTURE	
Metal parts: base frame, rear wall and head	1.2 mm galvanized coated steel with anti acid polymer resin powder heat-hardened at 200 °C
Front and side panels	Transparent polymethylmethacrylate 6 mm thick (light transmission of 93%)

MODULAR FILTRATION COLUMN FOR GASES AND PARTICLES (according to NFX 15-211:2009)	
CLASS 2	
Type G Handling of liquid compounds/products	
Type GS Handling of liquid and particles compounds/products	

TYPES OF FILTERS	
Type A	General use filter, especially appropriate for organic fumes , such as ketons, ethers, alcohols, xylenes, etc. These can be used with inorganic acids, but only if these are not too abundant, as the active carbon has not been impregnated and any excess acid fumes will quickly saturate this.
Type BE	For inorganic acid fumes such as H ₂ SO ₄ , HCl, HNO ₃ , as well as for volatile sulphur compounds such as H ₂ S, SO ₃ , etc. This can be used with organic fumes as the active carbon has been impregnated with metal compounds and neutralizing salts. This can be used with both organic and inorganic fumes provided these are present in similar proportions.
Type F	For formaldehyde and formol fumes and their derivatives ; can also be used with other organic compounds. Carbon is impregnated with KI, and, as such, should never be used with inorganic acid fumes.
Type K	For NH₃ fumes and amines ; also useful for other organic compounds. The carbon is impregnated with metal salt complexes.
Type ABEK	Mixed type to be used when the proportions between organic, inorganic and NH₃/amines are similar.
Type D	HEPA Filter (High Efficiency Particulate Air) H-14 (standard EN-1822:2010) for filtering particles of dust and fumes.

 Fan  Molecular Filter  HEPA-H14 Filter

CRUMA670



Perfect for small working spaces. This ductless fume hood is recommended to remove from the working area gaseous polluting agents and/or solid particles/aerosols in a simple, efficient and cost effective way, protecting both the user and the environment. **CRUMA 670** ductless fume hood uses the CRUMA filtration system.

Cruma ductless fume hoods designed to handle low toxic products are made of steel plate with antiacid polymerized epoxy coating and methylpropilene of high resistance.



TECHNICAL FEATURES

Number of filtration columns	1
Number of filters	1 to 2
Number of IP44 fans	1
Average volume of treated air	155 m ³ /h
Average face velocity	0,50 m/s
Internal volume of the cabinet	0,181 m ³
Renewals inside the cabinet / min	14,3
Total electrical power consumption	56 W
Voltage-Frequency	110-230 V - 50-60 Hz
LED light intensity	1500 lm
Noise level	56 dB
Packaging: 100% recycled wooden box with international phytosanitary certificate	Volume 0,28 m ³ Weight 58 Kg

SIZES (MM)

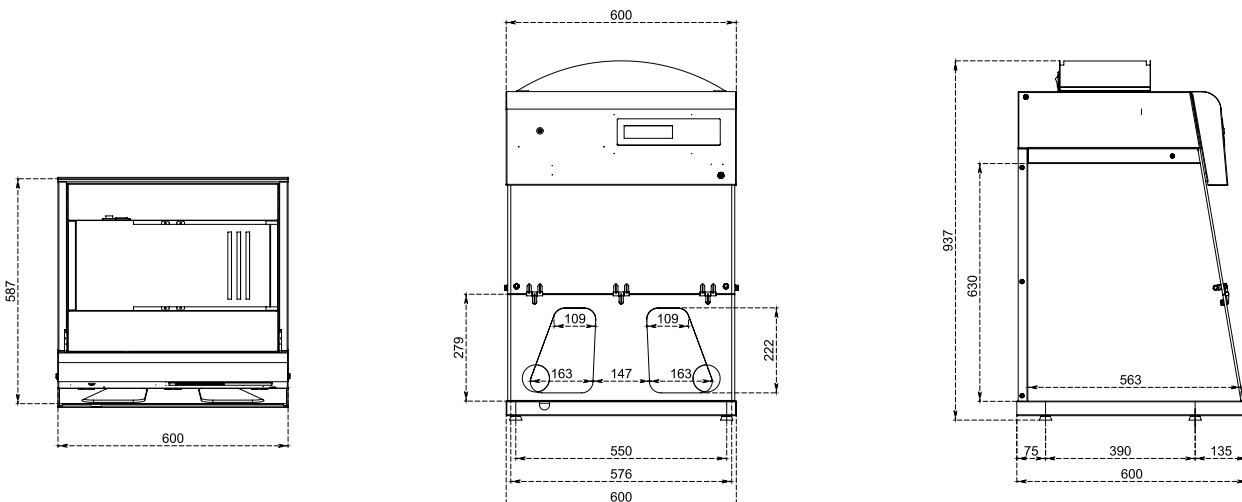
External			Internal		
Width	Depth	Height	Width	Depth	Height
600	600	937	576	556	620

Filters with microchip and USB connection, *intelligent filtering*

Information storage and interaction with the alarm system.



SIZES (mm)



DUCTLESS FUME HOOD. CLASSIC RANGE

CRUMA 870



This model is perfect to be joined to another hood of similar measures or to a CRUMA 990. Ideal to remove from the working area gaseous polluting agents and/or solid particles/aerosols in a simple, efficient and cost effective way, protecting both the user and the environment. **CRUMA 870** ductless fume hood uses the CRUMA filtration system.

Cruma ductless fume hoods designed to handle low toxic products are made of steel plate with antiacid polymerized epoxy coating and methylpropylene of high resistance.



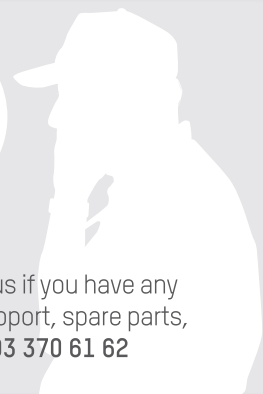
TECHNICAL FEATURES

Number of filtration columns	1
Number of filters	1 to 2
Number of IP44 fans	1
Average volume of treated air	160 m ³ /h
Average face velocity	0,50 m/s
Internal volume of the cabinet	0,287 m ³
Renewals inside the cabinet / min	10,2
Total electrical power consumption	57 W
Voltage-Frequency	110-230 V - 50-60 Hz
LED light intensity	1500 lm
Noise level	57 dB
Packaging: 100% recycled wooden box with international phytosanitary certificate	Volume 0,43 m ³ Weight 77 Kg

SIZES (MM)

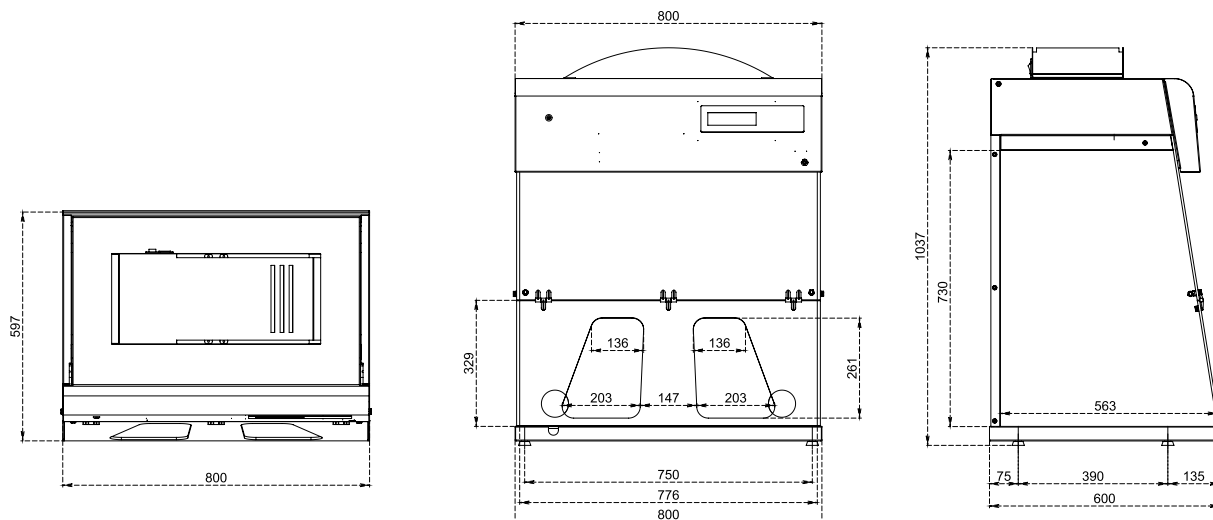
External			Internal		
Width	Depth	Height	Width	Depth	Height
800	600	1037	776	556	720

Do you have any *questions* or need *technical assistance*?



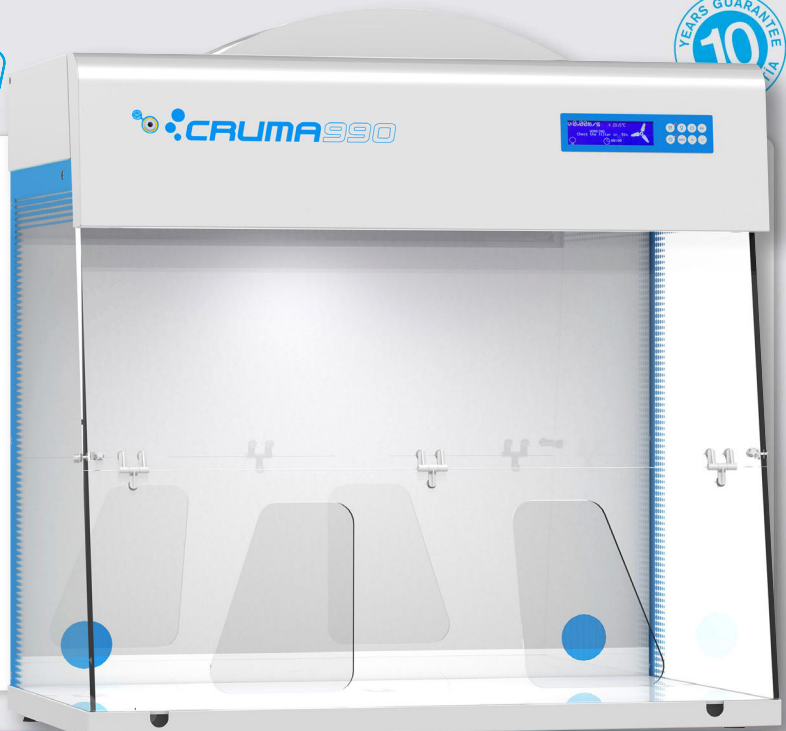
Contact your distributor or call us if you have any questions or need technical support, spare parts, maintenance service... ☎ +34 93 370 61 62

SIZES (mm)



DUCTLESS FUME HOOD. CLASSIC RANGE

CRUMA 990



To remove from a large working area gaseous polluting agents and/or solid particles/aerosols in a simple, efficient and cost effective way, protecting both the user and the environment. **CRUMA 990** ductless fume hood uses the CRUMA filtration system.

Cruma ductless fume hoods designed to handle low toxic products are made of steel plate with antiacid polymerized epoxy coating and methylpropilene of high resistance.

TECHNICAL FEATURES

Number of filtration columns	1
Number of filters	1 to 2
Number of IP44 fans	1
Average volume of treated air	160 m ³ /h
Average face velocity	0,50 m/s
Internal volume of the cabinet	0,361 m ³
Renewals inside the cabinet / min	8,1
Total electrical power consumption	57 W
Voltage-Frequency	110-230 V - 50-60 Hz
LED light intensity	1500 lm
Noise level	57 dB
Packaging: 100% recycled wooden box with international phytosanitary certificate	Volume 0,52 m ³ Weight 90 Kg

SIZES (MM)

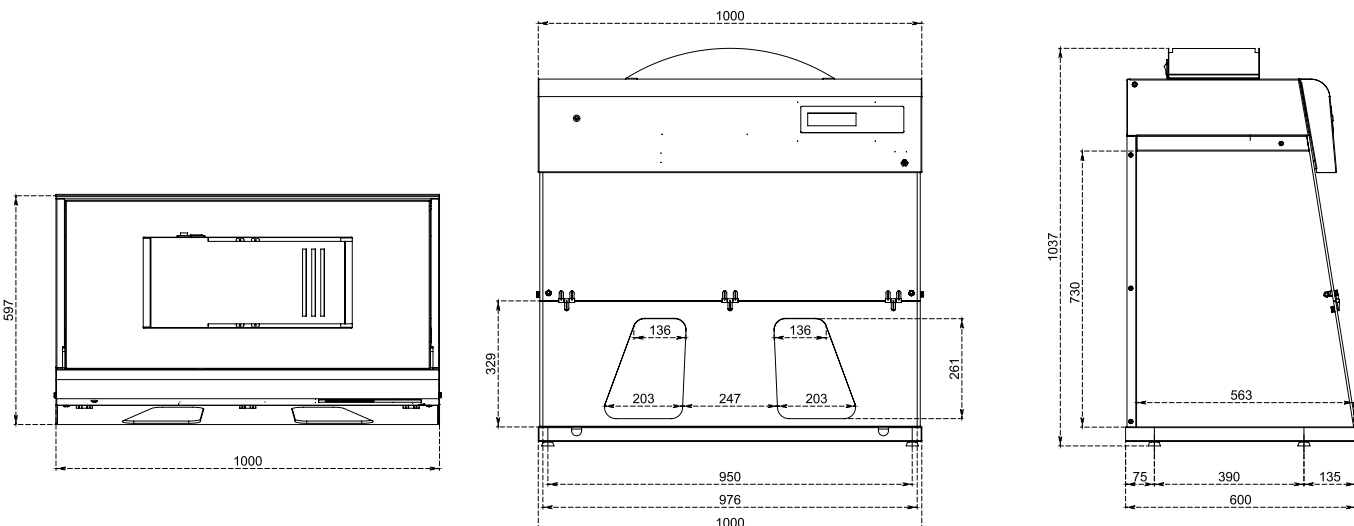
External			Internal		
Width	Depth	Height	Width	Depth	Height
1000	600	1037	976	556	720

Filters with microchip and USB connection, *intelligent filtering*

Information storage and interaction with the alarm system.



SIZES (mm)



DUCTLESS FUME HOOD. CLASSIC RANGE

CRUMA1010



Perfect for applications that require a **high working space**. This model is ideal to remove gaseous polluting agents and/or solid particles/ aerosols from the working space in a simple, efficient and cost effective way, protecting both the user and the environment. **CRUMA 1010** ductless fume hood uses the CRUMA filtration system.

Cruma ductless fume hoods designed to handle low toxic products are made of steel plate with antiacid polymerized epoxy coating and methylpropilene of high resistance.



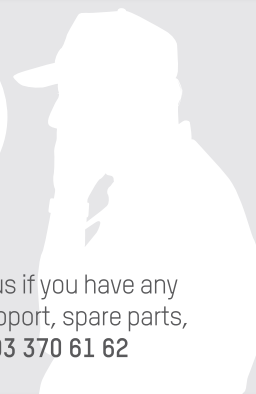
TECHNICAL FEATURES

Number of filtration columns	1
Number of filters	1 to 2
Number of IP44 fans	1
Average volume of treated air	160 m ³ /h
Average face velocity	0,50 m/s
Internal volume of the cabinet	0,458 m ³
Renewals inside the cabinet / min	6,4
Total electrical power consumption	57 W
Voltage-Frequency	110-230 V - 50-60 Hz
LED light intensity	1500 lm
Noise level	57 dB
Packaging: 100% recycled wooden box with international phytosanitary certificate	Volume Weight
	0,52 m ³ 95 Kg

SIZES (mm)

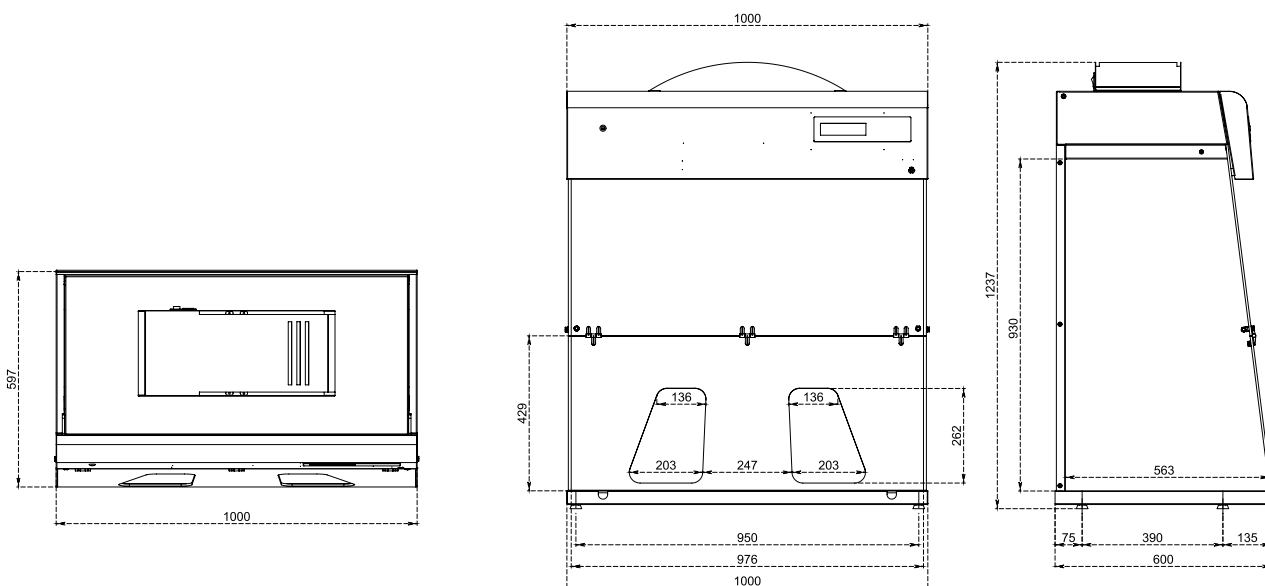
External			Internal		
Width	Depth	Height	Width	Depth	Height
1000	600	1237	976	556	920

Do you need help or *technical assistance?*



Contact your distributor or call us if you have any questions or need technical support, spare parts, maintenance service... ☎ +34 93 370 61 62

SIZES (mm)



DUCTLESS FUME HOOD. CLASSIC RANGE

CRUMA1200



Cruma ductless fume hood with the **largest working surface**. Perfect to remove gaseous polluting agents and/or solid particles/aerosols from the working space in a simple, efficient and cost effective way, protecting both the user and the environment.

CRUMA 1200 ductless fume hood uses the CRUMA filtration system, without any exterior connection.



TECHNICAL FEATURES

Number of filtration columns	1
Number of filters	1 to 2
Number of IP44 fans	1
Average volume of treated air	160 m ³ /h
Average face velocity	0,50 m/s
Internal volume of the cabinet	0,632 m ³
Renewals inside the cabinet / min	5,2
Total electrical power consumption	58 W
Voltage-Frequency	110-230 V - 50-60 Hz
LED light intensity	1500 lm
Noise level	57 dB
Packaging: 100% recycled wooden box with international phytosanitary certificate	Volume 0,65 m ³ Weight 118 Kg

SIZES (mm)

External			Internal		
Width	Depth	Height	Width	Depth	Height
1200	800	1097	1176	760	779

Filters with microchip and USB connection, *intelligent filtering*

Information storage and interaction with the alarm system.



SIZES (mm)

