

StereoBlue

HIGHLIGHTS

- Designed for professional use
- Robust and sturdy
- Dual magnifications or Zoom models
- Available in ergonomic rack & pinion, pillar and universal stands
- Double 3 W LED illumination
- Ergonomic carrying grip
- 5 years warranty



SB.1903

TECHNICAL SPECIFICATIONS

EYEPIECE(S)

- Pair of WF10x/20 mm secured eyepieces supplied with eyecups

HEAD

- Binocular or trinocular 45° inclined tubes
- Diopter adjustment on both eyepieces, except the models SB.1302-P/1402-P and SB.1302 /1402 , which have diopter adjustment on one side
- Interpupillary distance adjustable between 55 mm and 75 mm
- All optics are anti-fungus treated and anti-reflection coated for maximum light throughput

DUAL MAGNIFICATION OBJECTIVES

- Nosepiece with dual 1x/3x or 2x/4x revolving objectives
- Magnifications 10x/30x or 20x/40x
- Field of view 20 mm/6.6 mm or 10 mm/5.0 mm
- Working distance 100 mm

ZOOM OBJECTIVE

- Zoom Stereo 0.7x to 4.5x parfocal objective
- Magnification from 7x to 45x
- Field of view 28.5 mm to 4.4 mm
- Working distance 100 mm

STANDS

- The rack & pinion and pillar stands of the StereoBlue are equipped with ergonomically designed flat bases, complete with 2 object clamps and Ø 60 mm transparent and black/white stage plate
- The coarse adjustment is equipped with tension control
- The ergonomically designed universal single arm stand is ideal for looking at large samples or working under the microscope
- The stands are alloy metal casted with hardened off-white coating
- Standard supplied without illumination
- Suitable for e.g. ring illuminators LE.1972 and LE.1973

ILLUMINATION

- With 3 W transmitted and incident LED illuminators which can be used simultaneously or adjusted separately.
- SB.3903 and SB.3903-P models come with a built-in 30 LED ring light for reflexed illuminator and 3 W transmitted illuminator

PACKAGING

- Supplied with power cord, dust cover, a spare fuse, Ø 60 mm transparent and black/ white stage plates and user manual
- All packed in a polystyrene box



Built-in LED ring light
SB.3903

MAGNIFICATION AND FIELD OF VIEW SPECIFICATIONS

EYEPIECES - 10/20 mm

Magnification additional lens	Working distance	Minimum magnification	Maximum magnification	Maximum field of view	Minimum field of view
0,5	170,0	3,5	22,5	57,1	8,9
0,75	114,0	5,3	33,8	38,1	5,9
Standard	100,0	7,0	45,0	28,6	4,4
1,5	48,0	10,5	67,5	19,0	3,0

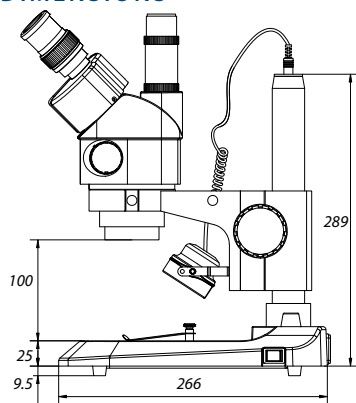
EYEPIECES - 15/15 mm

Magnification additional lens	Working distance	Minimum magnification	Maximum magnification	Maximum field of view	Minimum field of view
0,5	170,0	5,3	33,8	42,9	6,7
0,75	114,0	7,9	50,6	28,6	4,4
Standard	100,0	10,5	67,5	21,4	3,3
1,5	48,0	15,8	101,3	14,3	2,2

EYEPIECES - 20/10 mm

Magnification additional lens	Working distance	Minimum magnification	Maximum magnification	Maximum field of view	Minimum field of view
0,5	170,0	7,0	45,0	28,6	4,4
0,75	114,0	10,5	67,5	19,0	3,0
Standard	100,0	14,0	90,0	14,3	2,2
1,5	48,0	21,0	135,0	9,5	1,5

DIMENSIONS



MODELS

	Binocular	Trinocular	1x/3x objective	2x/4x objective	0.7 - 4.5x zoom	Rack & pinion stand	Pillar stand	Universal stand	30 LED right light	Weight (kg)
SB.1302	•		•			•				3.3
SB.1302-P	•		•				•			4.2
SB.1402	•			•		•				3.3
SB.1402-P	•			•			•			4.2
SB.1902	•				•	•				3.6
SB.1902-P	•				•		•			4.4
SB.1902-U	•				•			•		15.4
SB.1903		•			•	•				3.7
SB.1903-P		•			•		•			4.5
SB.1903-U		•			•			•		15.5
SB.3903		•			•	•			•	3.7
SB.3903-P		•			•		•		•	4.5



SB.1302



SB.1902



SB.1402-P



SB.1902-U

ACCESSORIES AND SPARE PARTS

- SB.6010** Pair of HWF 10x/20 mm eyepiece
- SB.6015** Pair of HWF 15x/15 mm eyepiece
- SB.6020** Pair of HWF 20x/10 mm eyepiece
- SB.6110** HWF 10x/20 mm eyepiece with micrometer
- SB.6099** Pair of eyecups

- SB.8905** Auxiliary 0.5x lens, only suitable for zoom models with pillar stands (SB.1902-P & SB.1903-P)
With rack- and pinion models the sample thickness is max. 2 cm. Working distance 170 mm
- SB.8907** Auxiliary 0.75x lens for zoom models.
Working distance 114 mm
- SB.8915** Auxiliary 1.5x lens for zoom models.
Working distance 48 mm

- SB.9570** Pair of object clamps for stage
- SB.9833** C-mount adapter with 0.33x lens for 1/3" cameras.
Only for trinocular models
- SB.9850** C-mount adapter with 0.5x lens for 1/2" cameras.
Only for trinocular models
- SB.9952** Stage plate transparent, Ø 60 mm
- SB.9956** Stage plate black/white, Ø 60 mm

- AE.5130** Universal SLR camera adapter with 2x projection lens for 23.2 mm tubes. Need T2 adapter
- AE.5020** T2 adapter for Nikon D digital SLR cameras
- AE.5040** T2 adapter for Canon EOS digital SLR cameras
Other T2 adapters on request

- AE.1112** Micrometer 76 x 26 mm slide, 50 mm/50 divisions
- PB.5245** Lens cleaning paper, 100 sheets per pack
- PB.5274** Isopropyl alcohol 99% (200 ml)
- PB.5275** Cleaning kit: lens cleaning fluid, lint free lens tissue, brush, air blower, cotton swabs